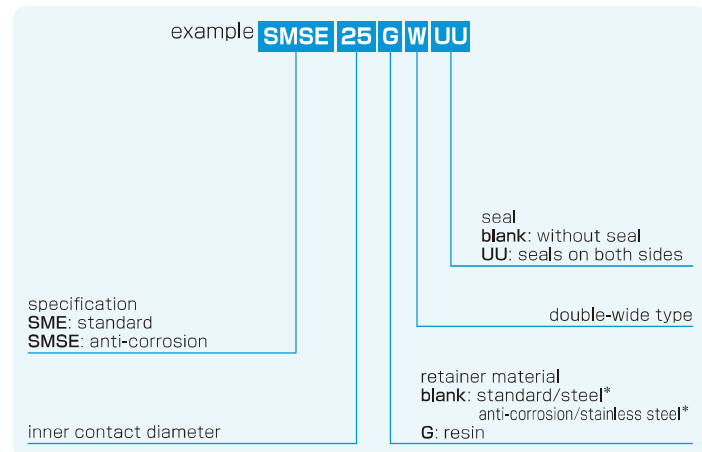


SME-W TYPE

— Double-wide Open Block Type —

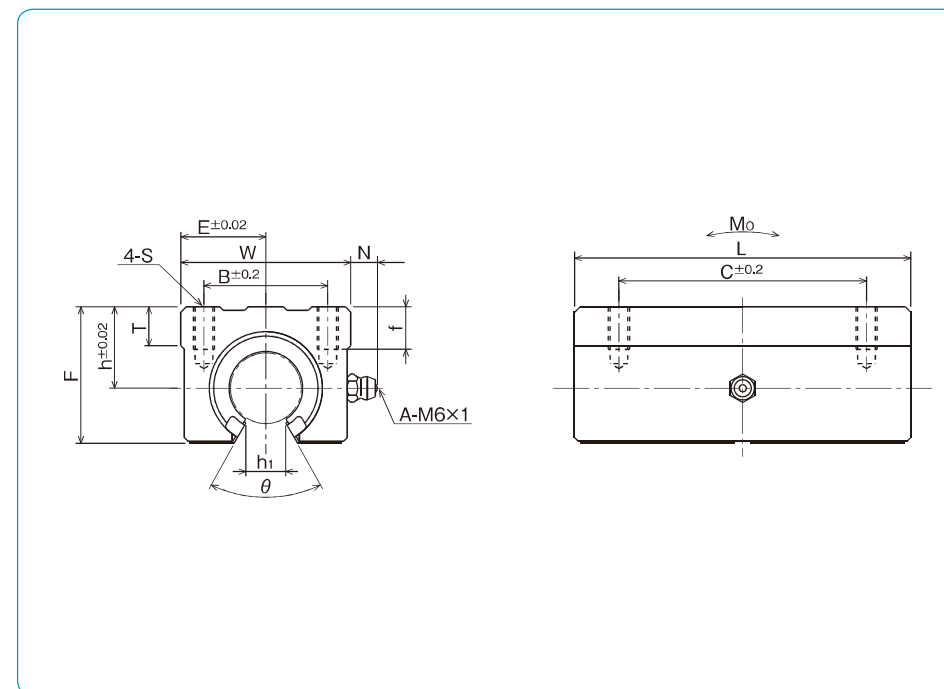


part number structure



*Size 10 is provided with resin retainer type only.

part number	inner contact diameter mm	outer dimensions							major dimensions	
		h mm	E mm	W mm	L mm	F mm	T mm	N mm	h ₁ mm	θ
SME10GWUU	10	15	18	36	65	24	7	7.5	6	80°
SME13GWUU	13	17	20	40	75	28	8	7.5	8.5	80°
SME16GWUU	16	20	22.5	45	85	33	9	7.5	10	80°
SME20GWUU	20	23	24	48	95	39	11	7.5	10	60°
SME25GWUU	25	27	30	60	130	47	14	7.5	11.5	50°
SME30GWUU	30	33	35	70	140	56	15	7.5	14	50°



B mm	mounting dimensions			f mm	basic load rating		allowable static moment Mo N · m	* mass g	shaft diameter mm
	C mm	S	dynamic C N		static Co N				
25	40	M5	588	10	1,100	4.63	140	10	
28	50	M5	813	10	1,570	7.42	200	13	
32	60	M5	1,230	12	2,350	12.6	300	16	
35	70	M6	1,400	12	2,740	14.5	400	20	
40	90	M6	1,560	12	3,140	24.7	900	25	
50	100	M8	2,490	18	5,490	47.2	1,260	30	

* Mass of resin retainer type

1N≐0.102kgf 1N · m≐0.102kgf · m