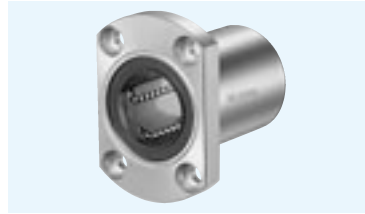


SMT TYPE

— Two Side Cut Flange Type —



part number structure

example **SMST 25 G UU -SK**

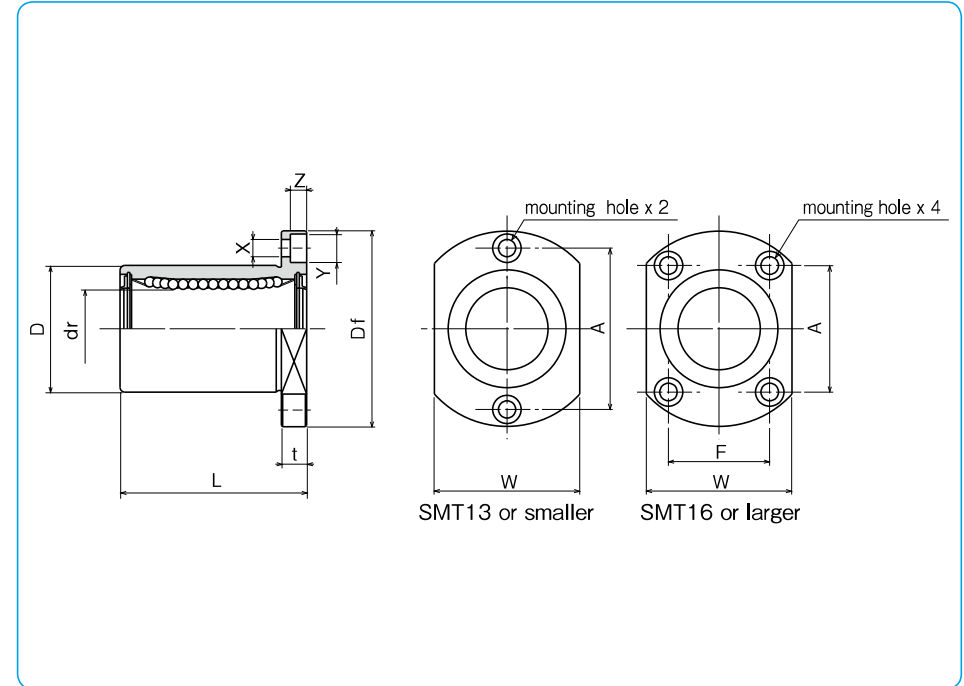
specification
SMT: standard
SMST: anti-corrosion

inner contact diameter (dr)

retainer material
blank: standard/steel
 anti-corrosion/stainless steel
G: resin

outer cylinder surface treatment
blank: no surface treatment
SK: electroless nickel plating
LF: low temperature black chrome treatment with fluoride coating
SB: black oxide (not available on anti-corrosion type)
SC: industrial chrome plating

seal
UU: seals on both sides
ZZ: doublelip-seals on both sides



part number*				number of ball circuits	dr mm	dr tolerance μm	major dimensions		
standard steel retainer	resin retainer	anti-corrosion stainless retainer resin retainer					D mm	D tolerance μm	L ±0.3 mm
SMT 6UU	SMT 6GUU	SMST 6UU	SMST 6GUU	4	6	0	12	0	19
SMT 8UU	SMT 8GUU	SMST 8UU	SMST 8GUU	4	8		15	-13	24
SMT 10UU	SMT 10GUU	SMST 10UU	SMST 10GUU	4	10		19	0	29
SMT 12UU	SMT 12GUU	SMST 12UU	SMST 12GUU	4	12	-9	21	0	30
SMT 13UU	SMT 13GUU	SMST 13UU	SMST 13GUU	4	13		23	-16	32
SMT 16UU	SMT 16GUU	SMST 16UU	SMST 16GUU	4	16		28	0	37
SMT 20UU	SMT 20GUU	SMST 20UU	SMST 20GUU	5	20	-10	32	0	42
SMT 25UU	SMT 25GUU	SMST 25UU	SMST 25GUU	6	25		40	-19	59
SMT 30UU	SMT 30GUU	SMST 30UU	SMST 30GUU	6	30		45	0	64

* Seals-on-both-sides is standard.

Df mm	W mm	t mm	flange			eccentricity μm	perpendicularity μm	basic load rating		mass g	shaft diameter mm
			A mm	F mm	X×Y×Z mm			dynamic C N	static Co N		
28	18	5	20	—	3.5×6×3.1	12	12	206	265	21	6
32	21	5	24	—	3.5×6×3.1			274	392	33	8
40	25	6	29	—	4.5×7.5×4.1			372	549	64	10
42	27	6	32	—	4.5×7.5×4.1			510	784	68	12
43	29	6	33	—	4.5×7.5×4.1			510	784	81	13
48	34	6	31	22	4.5×7.5×4.1	774	1,180	112	16		
54	38	8	36	24	5.5×9×5.1	15	15	882	1,370	167	20
62	46	8	40	32	5.5×9×5.1			980	1,570	325	25
74	51	10	49	35	6.6×11×6.1			1,570	2,740	388	30

1N≐0.102kgf