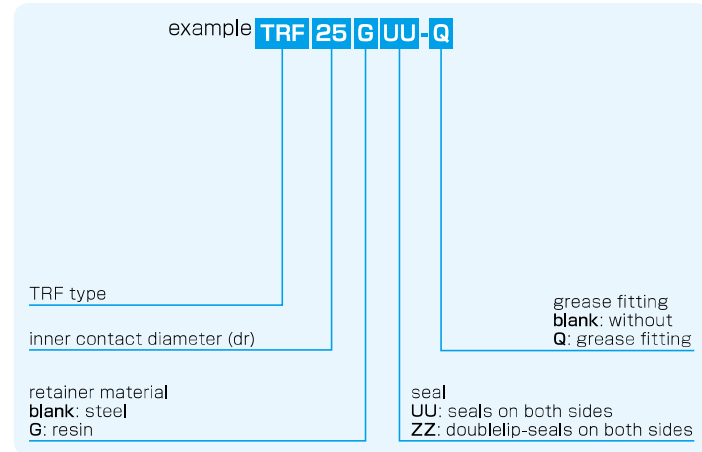


TRF TYPE

— Triple-Wide Round Flange Type —



part number structure



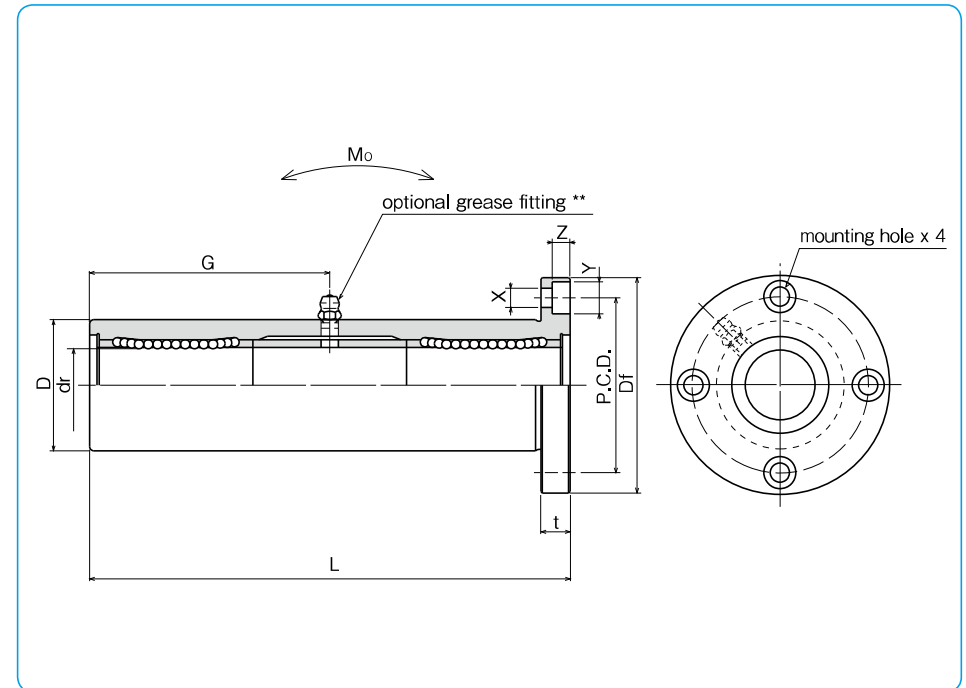
Doublelip-seal is available for size 6 to 30.

part number*		number of ball circuits	dr		major dimensions		
steel retainer	resin retainer		mm	tolerance μm	D mm	tolerance μm	L ± 0.3 mm
TRF 6UU	TRF 6GUU	4	6	0	15	0/-18	51
TRF 8UU	TRF 8GUU	4	8	-12	19		66
TRF 10UU	TRF 10GUU	4	10		23	0	80
TRF 12UU	TRF 12GUU	4	12		26	-21	84
TRF 13UU	TRF 13GUU	4	13	0	28		90
TRF 16UU	TRF 16GUU	4	16	-15	32		103
TRF 20UU	TRF 20GUU	5	20		40	0	118
TRF 25UU	TRF 25GUU	6	25	0	45	-25	165
TRF 30UU	TRF 30GUU	6	30	-18	52		182
TRF 35UU	TRF 35GUU	6	35		60	0	200
TRF 40UU	TRF 40GUU	6	40	0	65	-30	230
TRF 50UU	TRF 50GUU	6	50	-21	85	0	290
TRF 60UU	TRF 60GUU	6	60	0/-25	100	-35	310

Outer cylinder is treated with electroless nickel plating.

* Seals-on-both-sides is standard.

** TRF6: A-MT6x1 TRF8: A-M6x1 TRF10~30: A-M6F TRF35~60: A-R1/8



Df mm	t mm	flange P.C.D. mm	X×Y×Z mm	grease fitting G mm	eccentricity μm	perpendicularity μm	basic load rating			allowable static moment Mo N·m	mass g	shaft diameter mm
							dynamic C N	static Co N	static			
32	5	24	3.5×6×3.1	20.5	20	20	323	530	8.2	66	6	
40	6	29	4.5×7.5×4.1	29			431	784	16.0	135	8	
43	6	33	4.5×7.5×4.1	38			588	1,100	27.0	205	10	
46	6	36	4.5×7.5×4.1	41			813	1,570	40.1	248	12	
48	6	38	4.5×7.5×4.1	45			813	1,570	42.9	308	13	
54	8	43	5.5×9×5.1	51			1,230	2,350	73.5	412	16	
62	8	51	5.5×9×5.1	59	25	25	1,400	2,740	98.0	752	20	
74	10	60	6.6×11×6.1	82.5			1,560	3,140	157	1,244	25	
82	10	67	6.6×11×6.1	91			2,490	5,490	297	1,636	30	
96	13	78	9×14×8.1	100			2,650	6,270	373	2,580	35	
101	13	83	9×14×8.1	115	30	30	3,430	8,040	553	2,950	40	
129	18	107	11×17×11.1	145			6,080	15,900	1,370	6,860	50	
144	18	122	11×17×11.1	155			7,550	20,000	1,800	9,660	60	

1N \approx 0.102kgf 1N · m \approx 0.102kgf · m