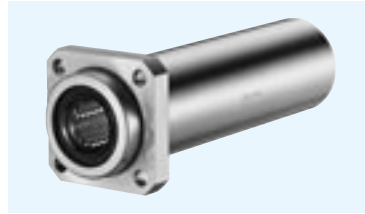
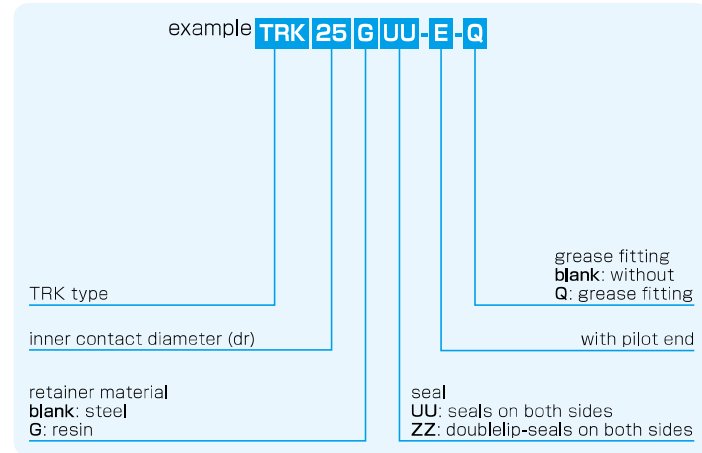


TRK-E TYPE

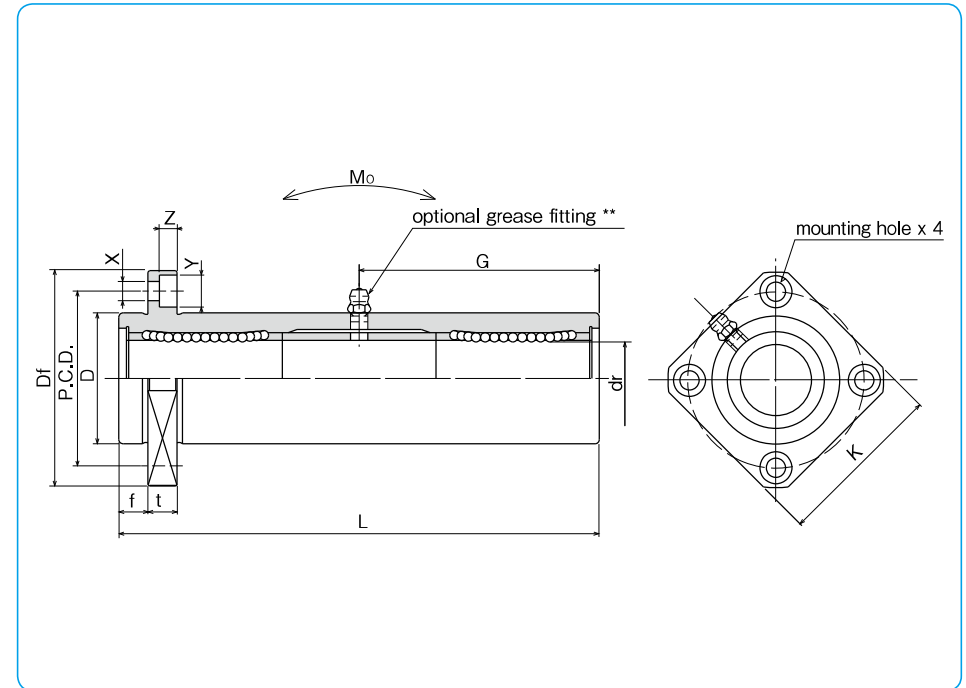
– Triple-Wide Square Flange Pilot End Type –



part number structure



Doublelip-seal is available for size 6 to 30.



part number*		number of ball circuits	dr		major dimensions		
steel retainer	resin retainer		mm	tolerance μm	D	tolerance μm	L ± 0.3 mm
TRK 6UU-E	TRK 6GUU-E	4	6	0	15	0/-18	51
TRK 8UU-E	TRK 8GUU-E	4	8	-12	19		66
TRK10UU-E	TRK10GUU-E	4	10		23	0	80
TRK12UU-E	TRK12GUU-E	4	12		26	-21	84
TRK13UU-E	TRK13GUU-E	4	13	0	28		90
TRK16UU-E	TRK16GUU-E	4	16	-15	32		103
TRK20UU-E	TRK20GUU-E	5	20		40	0	118
TRK25UU-E	TRK25GUU-E	6	25	-18	45	-25	165
TRK30UU-E	TRK30GUU-E	6	30		52	0	182
TRK35UU-E	TRK35GUU-E	6	35	0	60	-30	200
TRK40UU-E	TRK40GUU-E	6	40	-21	65		230
TRK50UU-E	TRK50GUU-E	6	50		85	0	290
TRK60UU-E	TRK60GUU-E	6	60	0/-25	100	-35	310

Outer cylinder is treated with electroless nickel plating.

* Seals-on-both-sides is standard.

** TRK6: A-MT6x1 TRK8: A-M6x1 TRK10~30: A-M6F TRK35~60: A-R1/8

f mm	Df mm	flange			P.C.D. mm	X×Y×Z mm	grease fitting G mm	eccentricity μm	perpendicularity μm	basic load rating		allowable static moment $\text{N}\cdot\text{m}$	mass g	shaft diameter mm
		K mm	t mm	C N						Co N				
5	32	25	5	24	3.5×6×3.1	20.5	20	20	323	530	8.2	58	6	
6	40	30	6	29	4.5×7.5×4.1	29			431	784	16.0	117	8	
6	43	34	6	33	4.5×7.5×4.1	38			588	1,100	27.0	189	10	
6	46	35	6	36	4.5×7.5×4.1	41			813	1,570	40.1	228	12	
6	48	37	6	38	4.5×7.5×4.1	45			813	1,570	42.9	286	13	
8	54	42	8	43	5.5×9×5.1	51			1,230	2,350	73.5	376	16	
8	62	50	8	51	5.5×9×5.1	59	25	25	1,400	2,740	98.0	714	20	
10	74	58	10	60	6.6×11×6.1	82.5			1,560	3,140	157	1,163	25	
10	82	64	10	67	6.6×11×6.1	91			2,490	5,490	297	1,543	30	
13	96	75	13	78	9×14×8.1	100			2,650	6,270	373	2,400	35	
13	101	80	13	83	9×14×8.1	115	30	30	3,430	8,040	553	2,510	40	
18	129	100	18	107	11×17×11.1	145			6,080	15,900	1,370	6,400	50	
18	144	116	18	122	11×17×11.1	155			7,550	20,000	1,800	9,200	60	

1N≐0.102kgf 1N·m≐0.102kgf·m