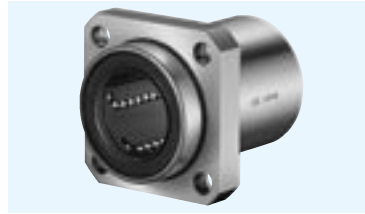


# SMK-E TYPE

— Square Flange Type with Pilot End —



## part number structure

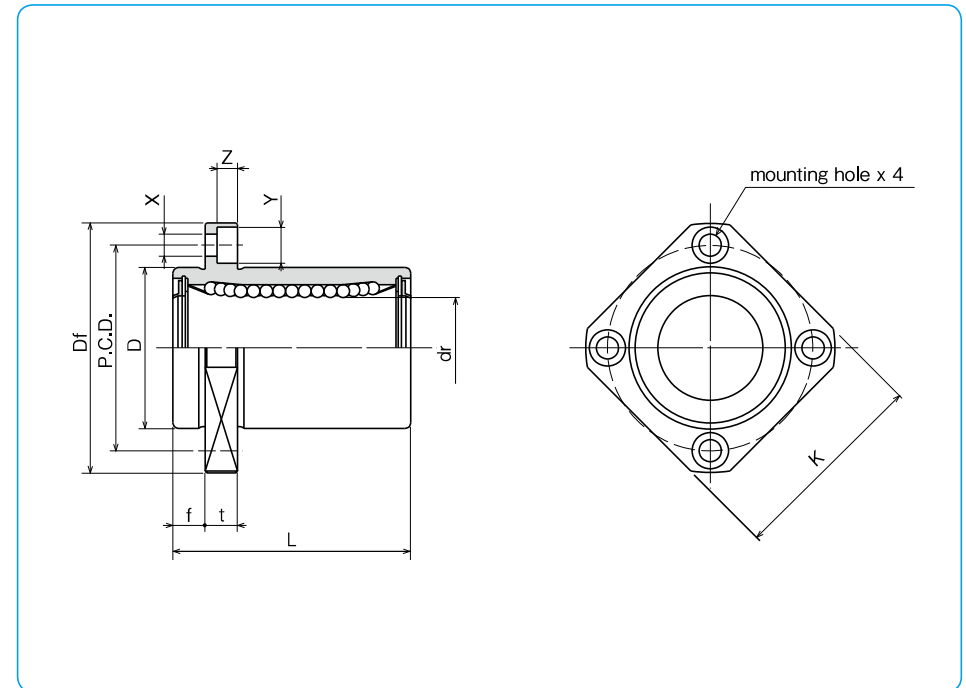
example **SMSK 25 G UU - E - SK**

specification <b>SMK</b> : standard <b>SMSK</b> : anti-corrosion	inner contact diameter (dr)	retainer material <b>blank</b> : standard/steel anti-corrosion/stainless steel <b>G</b> : resin	outer cylinder surface treatment <b>blank</b> : no surface treatment <b>SK</b> : electroless nickel plating <b>LF</b> : low temperature black chrome treatment with fluoride coating <b>SB</b> : black oxide (not available on anti-corrosion type) <b>SC</b> : industrial chrome plating
			with pilot end
			seal <b>UU</b> : seals on both sides <b>ZZ</b> : doublelip-seals on both sides

Doublelip-seal is available for size 6 to 30.

part number*				number of ball circuits	dr		major dimensions		
standard steel retainer	anti-corrosion resin retainer	stainless steel retainer	resin retainer		mm	tolerance $\mu\text{m}$	D mm	tolerance $\mu\text{m}$	L $\pm 0.3$ mm
SMK 6UU-E	SMK 6GUU-E	SMSK 6UU-E	SMSK 6GUU-E	4	6	0	12	0	19
SMK 8UU-E	SMK 8GUU-E	SMSK 8UU-E	SMSK 8GUU-E	4	8	0	15	-13	24
SMK 10UU-E	SMK 10GUU-E	SMSK 10UU-E	SMSK 10GUU-E	4	10	0	19	0	29
SMK 12UU-E	SMK 12GUU-E	SMSK 12UU-E	SMSK 12GUU-E	4	12	-9	21	0	30
SMK 13UU-E	SMK 13GUU-E	SMSK 13UU-E	SMSK 13GUU-E	4	13	0	23	-16	32
SMK 16UU-E	SMK 16GUU-E	SMSK 16UU-E	SMSK 16GUU-E	4	16	0	28	0	37
SMK 20UU-E	SMK 20GUU-E	SMSK 20UU-E	SMSK 20GUU-E	5	20	0	32	0	42
SMK 25UU-E	SMK 25GUU-E	SMSK 25UU-E	SMSK 25GUU-E	6	25	-10	40	-19	59
SMK 30UU-E	SMK 30GUU-E	SMSK 30UU-E	SMSK 30GUU-E	6	30	0	45	0	64
SMK 35UU-E	SMK 35GUU-E	—	—	6	35	0	52	0	70
SMK 40UU-E	SMK 40GUU-E	—	—	6	40	-12	60	-22	80
SMK 50UU-E	SMK 50GUU-E	—	—	6	50	0	80	0	100
SMK 60UU-E	SMK 60GUU-E	—	—	6	60	0/-15	90	0/-25	110

\* Seals-on-both-sides is standard.



f mm	Df mm	flange				eccentricity $\mu\text{m}$	perpendicularity $\mu\text{m}$	basic load rating		mass g	shaft diameter mm		
		K mm	t mm	P.C.D. mm	X×Y×Z mm			dynamic C N	static Co N				
5	28	22	5	20	3.5×6×3.1	12	12	206	265	18	6		
5	32	25	5	24	3.5×6×3.1			274	392	29	8		
6	40	30	6	29	4.5×7.5×4.1			372	549	52	10		
6	42	32	6	32	4.5×7.5×4.1			510	784	57	12		
6	43	34	6	33	4.5×7.5×4.1			510	784	72	13		
6	48	37	6	38	4.5×7.5×4.1	774	1,180	104	16				
8	54	42	8	43	5.5×9×5.1	15	15	882	1,370	145	20		
8	62	50	8	51	5.5×9×5.1			980	1,570	300	25		
10	74	58	10	60	6.6×11×6.1			1,570	2,740	375	30		
10	82	64	10	67	6.6×11×6.1	20	20	1,670	3,140	560	35		
13	96	75	13	78	9×14×8.1			2,160	4,020	880	40		
13	116	92	13	98	9×14×8.1			3,820	7,940	2,000	50		
18	134	106	18	112	11×17×11.1			25	25	4,700	10,000	2,560	60

1N=0.102kgf