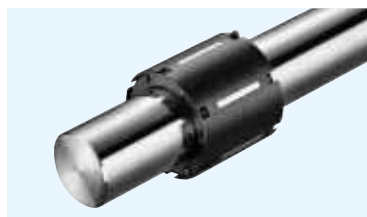
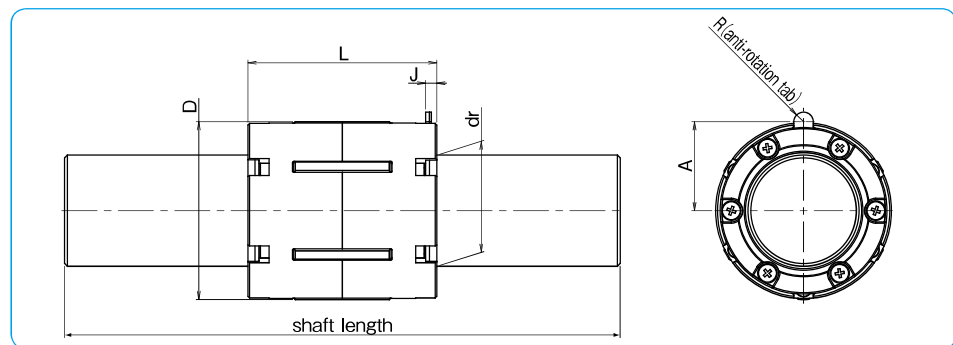
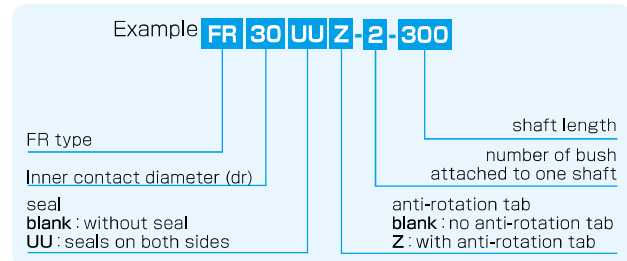


# FR TYPE



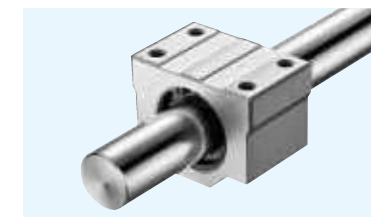
## part number structure



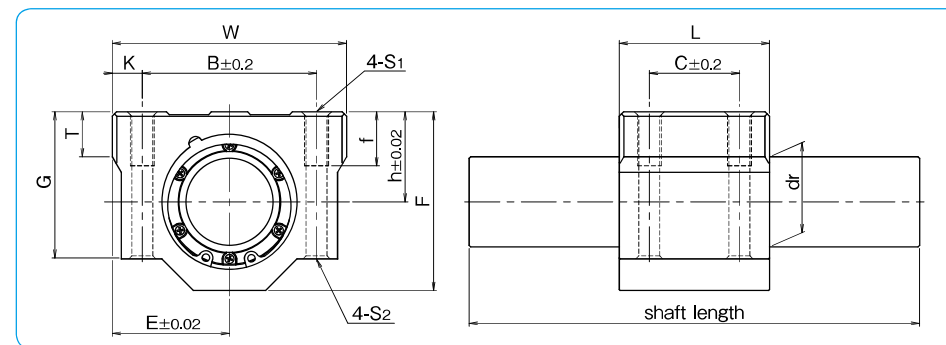
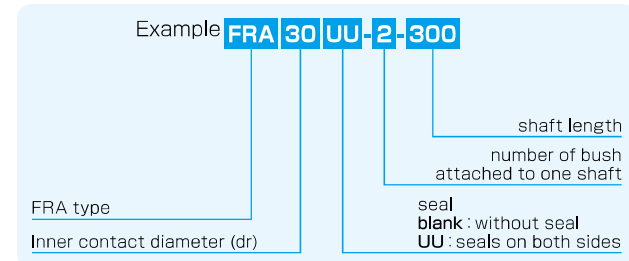
part number	inner contact diameter dr mm	D*1 mm	major dimensions					dynamic C N	static Co N	allowable revolutions per minute	allowable speed m/min	mass*2 g	
			tolerance μm	L mm	R mm	A mm	J mm						
FR20	20	32	0 -16	34	1.75	0 -0.2	16	2	1,910	3,010	2,000	55	
FR25	25	40		41	2.25		20	2.4	3,130	4,780			1,500
FR30	30	45	0 -19	42	2.75	0 -0.2	22.5	2.5	3,570	5,750	1,000	40	
FR40	40	60		56			30	3	6,970	10,600			800
FR50	50	80		74			40	3	13,500	18,800			

\*1 : excluding resin part  
\*2 : excluding shaft

# FRA TYPE



## part number structure



part number	inner contact diameter dr mm	h mm	E mm	W mm	major dimensions										dynamic C N	static Co N	allowable revolutions per minute	allowable speed m/min	mass*1 g
					L mm	F mm	G mm	T mm	B mm	C mm	K mm	S1 mm	f mm	S2 mm					
FRA20	20	21	27	54	40	41	35	11	40	25	7	M6	12	5.2	1,910	3,010	2,000	40	170
FRA25	25	26	38	76	50	51.5	42	12	54	30	11	M8	18	7	3,130	4,780	1,500		
FRA30	30	30	39	78	50	59.5	49	15	58	30	10				M10	25	8.7	3,570	5,750
FRA40	40	40	51	102	65	78	62	20	80	40	11	6,970	10,600	800					
FRA50	50	52	61	122	84	102	80	25	100	50	11							13,500	18,800

\*1 : excluding shaft