

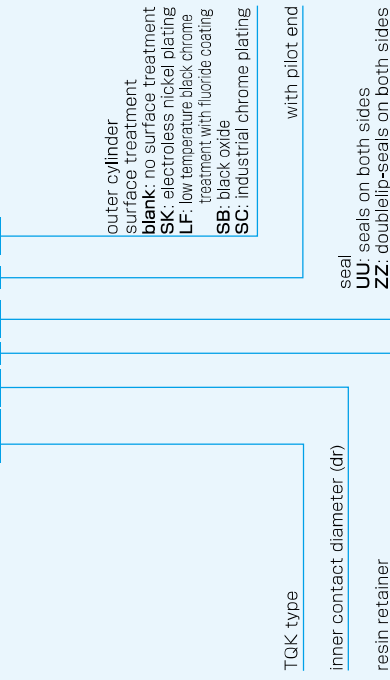
# TQK-E TYPE

– Square Flange Type with Pilot End –



## part number structure

example) **TQK 25 G UU-E-SK**



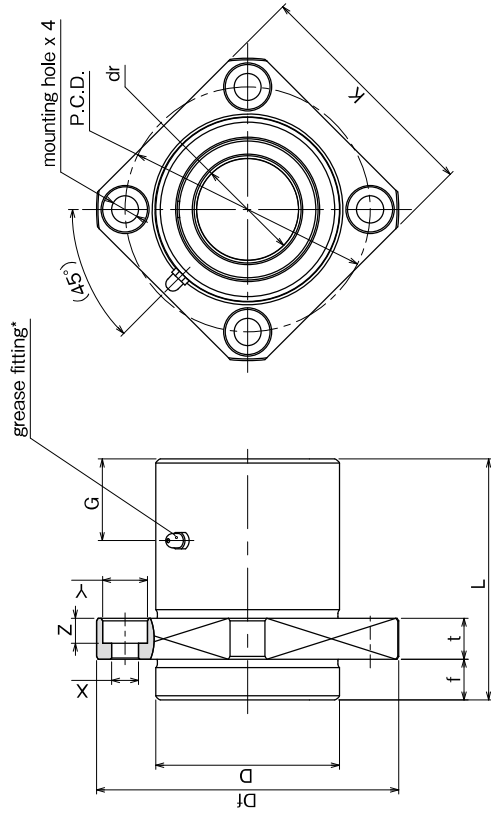
Doublelip-seal is available for size 6 to 30.

part number*	number of ball circuits	dr		D	major dimensions				flange	
		mm	tolerance $\mu\text{m}$		L	tolerance $\mu\text{m}$	f	Df	K	t
TQK16GUU-E	4	16	0/-9	37	0	8	54	42	8	43
TQK20GUU-E	5	20	0	42	-19	8	62	50	8	51
TQK25GUU-E	6	25	-10	59		10	74	58	10	60
TQK30GUU-E	6	30		64	0	10	82	64	10	67
TQK35GUU-E	6	35	0	70	-22	13	96	75	13	78
TQK40GUU-E	6	40	-12	80		13	101	80	13	83

\* Seals-on-both-sides is standard.

\*\*TOK16G~25G : M3-1 grease fitting TQK30G~40G : A-M6x1

Surface treatment is optional.



X×Y×Z mm	grease fitting		eccentricity $\mu\text{m}$	perpendicularity $\mu\text{m}$	basic load rating		shaft diameter mm
	G mm	t mm			dynamic C	static Co	
5.5×9×5.1	12	8	12	12	774	1,180	16
5.5×9×5.1	14	10			882	1,370	20
6.6×11×6.1	20	14	15	15	980	1,570	25
6.6×11×6.1	21	15			1,570	2,740	30
9×14×8.1	23	18	20	20	1,670	3,140	35
9×14×8.1	27	21			2,160	4,020	40

1N≒0.102kgf