

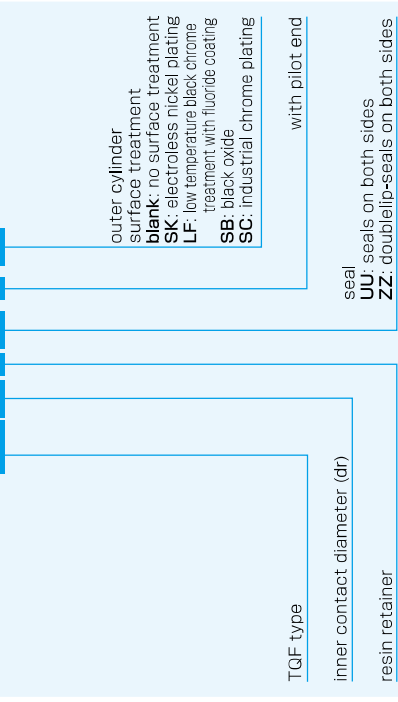
# TQF-E TYPE

– Round Flange Type with Pilot End –



## part number structure

example **TQF 25 G UU-E-SK**



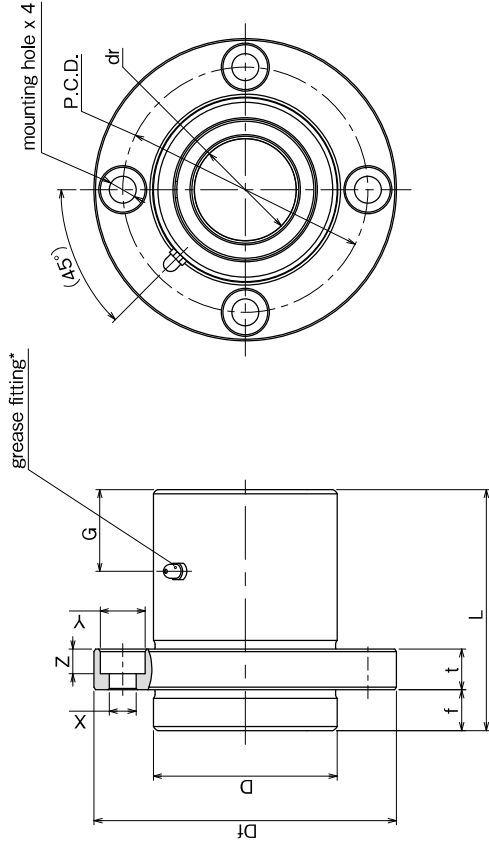
Doublelip-seal is available for size 6 to 30.

part number*	number of ball circuits	dr		D	major dimensions			flange	
		mm	tolerance $\mu\text{m}$		L	tolerance $\mu\text{m}$	f	Df	t
TQF16GUU-E	4	16	0/-9	37	±0.3	8	54	8	43
TQF20GUU-E	5	20	0	42	±0.3	8	62	8	51
TQF25GUU-E	6	25	-10	59	±0.3	10	74	10	60
TQF30GUU-E	6	30	-10	64	±0.3	10	82	10	67
TQF35GUU-E	6	35	0	70	±0.3	13	96	13	78
TQF40GUU-E	6	40	-12	80	±0.3	13	101	13	83

\* Seals-on-both-sides is standard.

\*\*TQF16G~25G : M3-1 grease fitting TQF30G~40G : A-M6x1

Surface treatment is optional.



X×Y×Z mm	grease fitting		eccentricity $\mu\text{m}$	perpendicularity $\mu\text{m}$	basic load rating		shaft diameter mm
	G mm	L mm			dynamic C	static Co	
5.5×9×5.1	12	774	12	12	774	1,180	16
5.5×9×5.1	14	882	12	12	882	1,370	20
6.6×11×6.1	20	980	15	15	980	1,570	25
6.6×11×6.1	21	1,570	20	20	1,570	2,740	30
9×14×8.1	23	1,670	20	20	1,670	3,140	35
9×14×8.1	27	2,160	20	20	2,160	4,020	40

1N≒0.102kgf