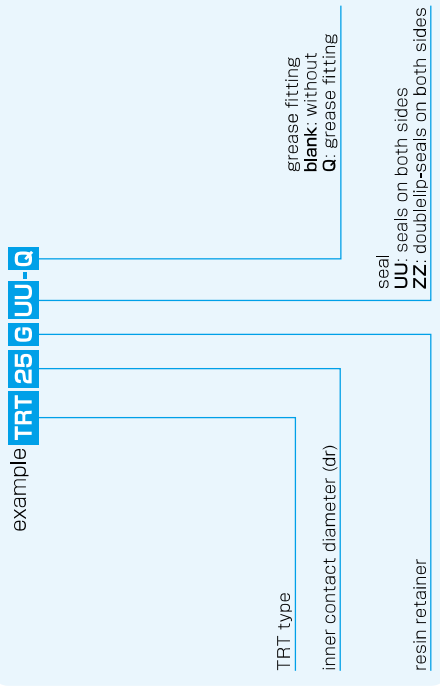


TRT TYPE

– Triple-Wide Two Side Cut Flange Type –



part number structure

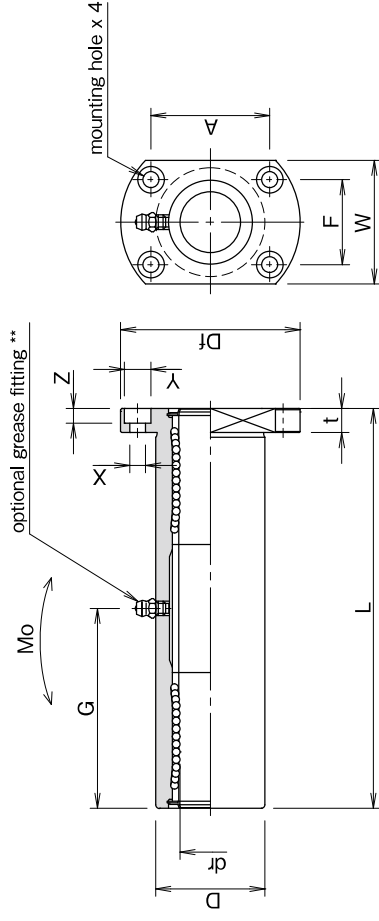


part number*	number of ball circuits	dr		D		major dimensions						flange	
		mm	tolerance μm	mm	tolerance μm	L	Df	W	t	A	F		
TRT12GUU	4	12	0	26	0	84	46	32	6	28	22		
TRT13GUU	4	13	0	28	-21	90	48	34	6	31	22		
TRT16GUU	4	16	-15	32	0	103	54	38	8	36	24		
TRT20GUU	5	20	0	40	-25	118	62	46	8	40	32		
TRT25GUU	6	25	-18	52	0/-30	165	74	51	10	49	35		
TRT30GUU	6	30	-18	52	0/-30	182	82	58	10	55	38		

Outer cylinder is treated with electroless nickel plating.

* Seals-on-both-sides is standard.

**TRT12G~30G: A-M6F



X×Y×Z mm	grease fitting		eccentricity μm	perpendicularity μm	basic load rating		allowable static moment Mo $\text{N} \cdot \text{m}$	shaft diameter mm
	G mm	N			C	Co N		
4.5×7.5×4.1	41	813	20	20	1,570	40.1	12	
4.5×7.5×4.1	45	813	20	20	1,570	42.9	13	
5.5×9×5.1	51	1,230	25	25	2,350	73.5	16	
5.5×9×5.1	59	1,400	25	25	2,740	98.0	20	
6.6×11×6.1	82.5	1,560	25	25	3,140	157	25	
6.6×11×6.1	91	2,490	25	25	5,490	297	30	

$1\text{N} \approx 0.102\text{kgf}$ $1\text{N} \cdot \text{m} \approx 0.102\text{kgf} \cdot \text{m}$