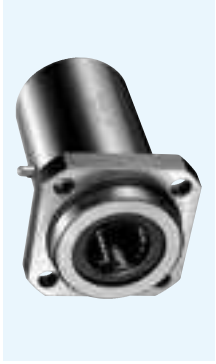


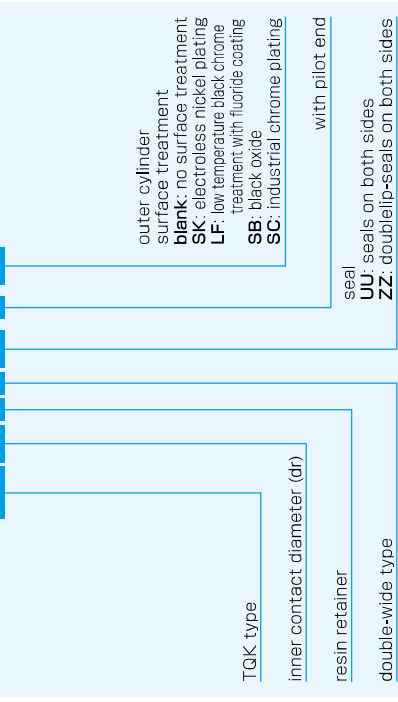
# TQK-W-E TYPE

— Square Flange Double-Wide Pilot End Type —



## part number structure

example **TQK25GWUU-E-SK**



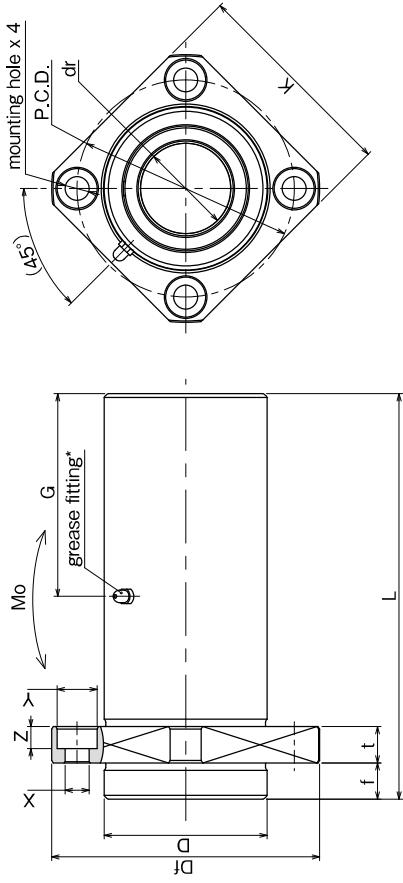
Doublelip-seal is available for size 6 to 30.

part number*	number of ball circuits	dr		D		L		major dimensions				flange P.C.D.
		mm	tolerance $\mu\text{m}$	mm	tolerance $\mu\text{m}$	mm	tolerance $\mu\text{m}$	f	Df	K	t	
TQK16GUUW-E	4	16	0/-10	32	0	70	0	8	54	42	8	43
TQK20GUUW-E	5	20	0	40	-19	80	0	8	62	50	8	51
TQK25GUUW-E	6	25	-12	52	0	112	0	10	74	58	10	60
TQK30GUUW-E	6	30	0	60	0	123	0	10	82	64	10	67
TQK35GUUW-E	6	35	0	65	-22	135	0	13	96	75	13	78
TQK40GUUW-E	6	40	-15	65	-22	151	0	13	101	80	13	83

\* Seals-on-both-sides is standard.

\*\*TOK16G~25G: M3-1 grease fitting TQK30G~40G: A-M6x1

Surface treatment is optional.



X×Y×Z mm	grease fitting G		eccentricity $\mu\text{m}$	perpendicularity $\mu\text{m}$	basic load rating static		allowable static moment Mo N·m	shaft diameter mm
	mm	N			C	Co		
5.5×9×5.1	35	1,230	15	15	2,350	19.7	16	
5.5×9×5.1	40	1,400			2,740	26.8	20	
6.6×11×6.1	56	1,560	20	20	3,140	43.4	25	
6.6×11×6.1	61.5	2,490			5,490	82.8	30	
9×14×8.1	67.5	2,650	25	25	6,270	110	35	
9×14×8.1	75.5	3,430			8,040	147	40	

1N≒0.102kgf 1N·m≒0.102kgf·m