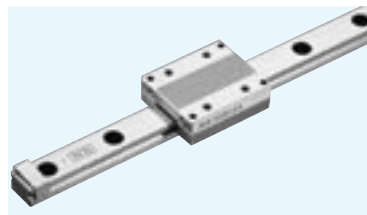


# SER-A TYPE



## part number structure

example **SERS 15A UU 2 - 589 N P / W2**

specification  
**SER**: standard  
**SERS**: anti-corrosion

size

seal  
**blank**: without side-seal  
**UU**: with side-seals

number of blocks attached to one rail

symbol for number of axes\*  
**blank**: single axis  
**W2**: 2 parallel axes  
**W3**: 3 parallel axes

accuracy grade  
**blank**: high  
**P**: precision

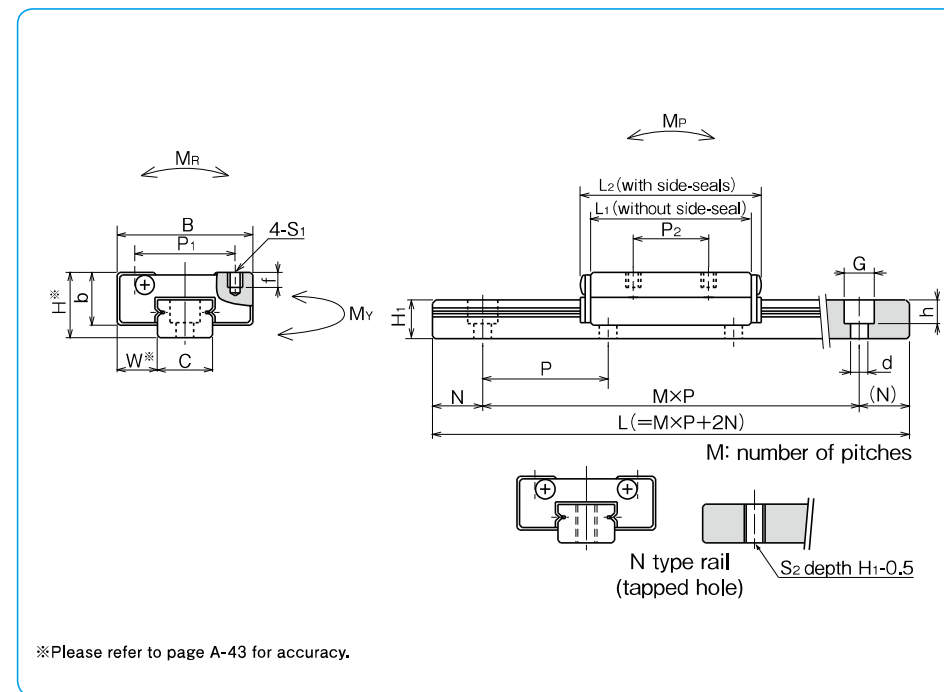
rail mounting hole  
**blank**: counterbore  
**N**: tapped hole

total length of rail

\* The symbol for the number of axes does not mean the number of rails ordered.

part number		assembly dimensions		block dimensions							
standard	anti-corrosion	H	W	B	L <sub>1</sub>	L <sub>2</sub>	P <sub>1</sub>	P <sub>2</sub>	S <sub>1</sub>	f	b
		mm	mm	mm	mm	mm	mm	mm		mm	mm
<b>SER 9A</b>	<b>SERS 9A</b>	10	5.7	20	28	32	15	13	M2	2.5	7.8
<b>SER12A</b>	<b>SERS12A</b>	13	8	27	32	36	20	15	M3	3	10.5
<b>SER15A</b>	<b>SERS15A</b>	16	8.5	32	40	44	25	20		4	11.5
<b>SER20A</b>	<b>SERS20A</b>	25	13	46	60	66	38	38	M4	6	17.5

part number		standard rail length							maximum length
standard	anti-corrosion	L							mm
		mm							
<b>SER 9A</b>	<b>SERS 9A</b>	55	75	95	115	155	195	275	275
<b>SER12A</b>	<b>SERS12A</b>	120	170	220	270	320	370	470	470
<b>SER15A</b>	<b>SERS15A</b>	150	230	310	430	550	670		670
<b>SER20A</b>	<b>SERS20A</b>	220	280	340	460	640	880		880



\*Please refer to page A-43 for accuracy.

guide rail dimensions						basic load rating		allowable static moment			mass		block size
H <sub>1</sub>	C	S <sub>2</sub>	d×G×h	N	P	dynamic	static	M <sub>P</sub>	M <sub>Y</sub>	M <sub>R</sub>	block	guide rail	
mm	mm		mm	mm	mm	C	Co	N·m	N·m	N·m	g	g/100mm	
5.5	8.6	M4	2.6×4.5×3	7.5	20	2.65	2.94	11.8	13.7	19.6	25	35	<b>9A</b>
7.5	11			10	25	3.43	3.92	15.7	17.6	29.4	51	55	<b>12A</b>
9.5	15	M5	3.5×6×4.5	15	40	4.70	5.78	29.0	32.3	54.9	82	100	<b>15A</b>
15	20	M6		6×9.5×8.5	20	60	8.82	9.80	59.0	66.6	151	280	230

1kN≒102kgf 1N·m≒0,102kgf·m