

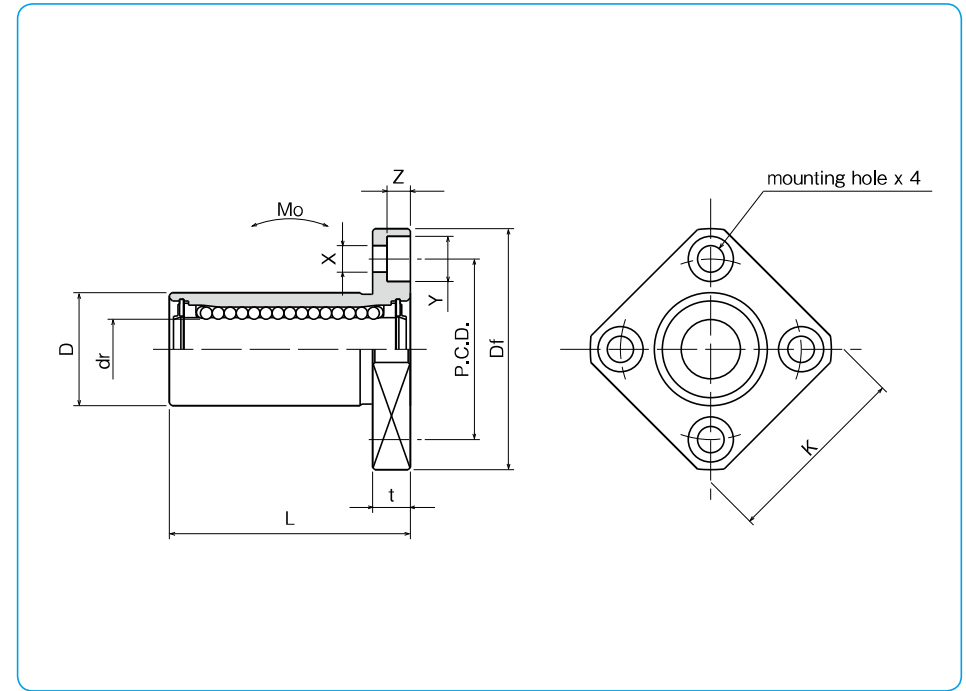
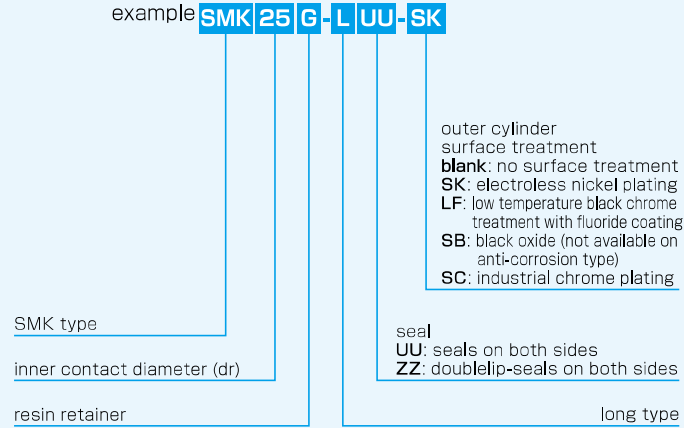
# SMK-G-L TYPE

– Square Flange Long type –



## part number structure

example **SMK 25 G-L UU-SK**



part number*	number of ball circuits	dr		D		major dimensions				
		mm	tolerance $\mu\text{m}$	mm	tolerance $\mu\text{m}$	L $\pm 0.3$ mm	Df mm	K mm	t mm	flange P.C.D. mm
SMK 6G-LUU	4	6	0	12	0	26	28	22	5	20
SMK 8G-LUU	4	8		15	-13	32	32	25	5	24
SMK10G-LUU	4	10		19	0	39	40	30	6	29
SMK12G-LUU	4	12	21	0		41	42	32	6	32
SMK13G-LUU	4	13	23	-16		45	43	34	6	33
SMK16G-LUU	4	16	28	0	53	48	37	6	38	
SMK20G-LUU	5	20	32		0	59	54	42	8	43
SMK25G-LUU	6	25	40		-19	83	62	50	8	51
SMK30G-LUU	6	30	45	0	90	74	58	10	60	

\* Seals-on-both-sides is standard.

X × Y × Z mm	eccentricity $\mu\text{m}$	perpendicularity $\mu\text{m}$	basic load rating		allowable static moment $M_o$ N · m	mass g	shaft diameter mm
			dynamic C N	static $C_o$ N			
3.5 × 6 × 3.1	15	15	262	476	1.15	20	6
3.5 × 6 × 3.1			352	615	1.94	32	8
4.5 × 7.5 × 4.1			493	1,000	3.98	59	10
4.5 × 7.5 × 4.1			637	1,430	6.26	67	12
4.5 × 7.5 × 4.1			682	1,560	7.68	88	13
4.5 × 7.5 × 4.1	20	20	1,039	2,350	13.2	125	16
5.5 × 9 × 5.1			1,160	2,740	17.9	170	20
5.5 × 9 × 5.1			1,300	2,960	27.2	380	25
5.5 × 9 × 5.1			1,300	2,960	27.2	380	25
6.6 × 11 × 6.1			2,160	5,880	61.3	460	30

1N  $\approx$  0.102kgf 1N · m  $\approx$  0.102kgf · m