

SMF-W-E TYPE

— Round Flange Double-Wide Pilot End Type —



part number structure

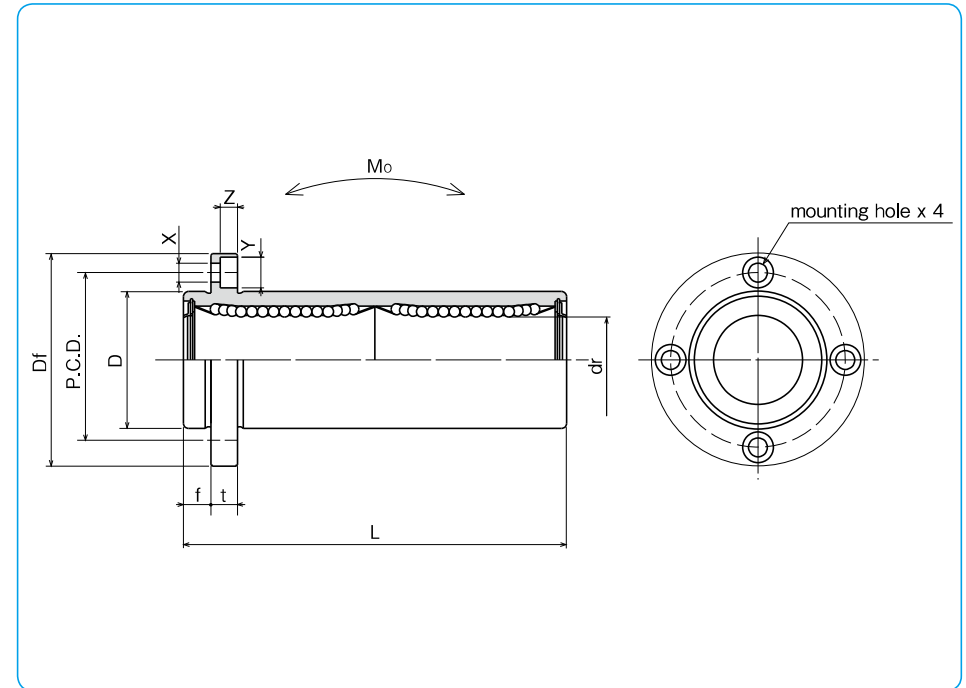
example **SMSF 25 G W UU - E - SK**

specification SMF: standard SMSF: anti-corrosion	inner contact diameter (dr)	retainer material blank: standard/steel G: resin	double-wide type	seal UU: seals on both sides ZZ: doublelip-seals on both sides	outer cylinder surface treatment blank: no surface treatment SK: electroless nickel plating LF: low temperature black chrome treatment with fluoride coating SB: black oxide (not available on anti-corrosion type) SC: industrial chrome plating	with pilot end
--	-----------------------------	--	------------------	--	--	----------------

Doublelip-seal is available for size 6 to 30.

part number*				number of ball circuits	dr mm	dr tolerance μm	major dimensions		
standard steel retainer	anti-corrosion resin retainer	stainless steel retainer	resin retainer				D mm	D tolerance μm	L ±0.3 mm
SMF 6WUU-E	SMF 6GWUU-E	SMSF 6WUU-E	SMSF 6GWUU-E	4	6	0	12	0	35
SMF 8WUU-E	SMF 8GWUU-E	SMSF 8WUU-E	SMSF 8GWUU-E	4	8	-10	15	-13	45
SMF10WUU-E	SMF10GWUU-E	SMSF10WUU-E	SMSF10GWUU-E	4	10	0	19	0	55
SMF12WUU-E	SMF12GWUU-E	SMSF12WUU-E	SMSF12GWUU-E	4	12	-10	21	0	57
SMF13WUU-E	SMF13GWUU-E	SMSF13WUU-E	SMSF13GWUU-E	4	13	0	23	-16	61
SMF16WUU-E	SMF16GWUU-E	SMSF16WUU-E	SMSF16GWUU-E	4	16	0	28	0	70
SMF20WUU-E	SMF20GWUU-E	SMSF20WUU-E	SMSF20GWUU-E	5	20	0	32	0	80
SMF25WUU-E	SMF25GWUU-E	SMSF25WUU-E	SMSF25GWUU-E	6	25	-12	40	-19	112
SMF30WUU-E	SMF30GWUU-E	SMSF30WUU-E	SMSF30GWUU-E	6	30	0	45	0	123
SMF35WUU-E	SMF35GWUU-E	—	—	6	35	0	52	0	135
SMF40WUU-E	SMF40GWUU-E	—	—	6	40	-15	60	-22	151
SMF50WUU-E	SMF50GWUU-E	—	—	6	50	0	80	0	192
SMF60WUU-E	SMF60GWUU-E	—	—	6	60	0/-20	90	0/-25	209

* Seals-on-both-sides is standard.



f mm	Df mm	flange			eccentricity μm	perpendicularity μm	basic load rating		allowable static moment Mo N·m	mass g	shaft diameter mm
		t mm	P.C.D. mm	X×Y×Z mm			dynamic C N	static Co N			
5	28	5	20	3.5×6×3.1	15	15	323	530	2.18	31	6
5	32	5	24	3.5×6×3.1			431	784	4.31	51	8
6	40	6	29	4.5×7.5×4.1			588	1,100	7.24	98	10
6	42	6	32	4.5×7.5×4.1			813	1,570	10.9	110	12
6	43	6	33	4.5×7.5×4.1			813	1,570	11.6	130	13
6	48	6	38	4.5×7.5×4.1			1,230	2,350	19.7	190	16
8	54	8	43	5.5×9×5.1	20	20	1,400	2,740	26.8	260	20
8	62	8	51	5.5×9×5.1			1,560	3,140	43.4	540	25
10	74	10	60	6.6×11×6.1			2,490	5,490	82.8	680	30
10	82	10	67	6.6×11×6.1			2,650	6,270	110	1,020	35
13	96	13	78	9×14×8.1	25	25	3,430	8,040	147	1,570	40
13	116	13	98	9×14×8.1			6,080	15,900	397	3,600	50
18	134	18	112	11×17×11.1			7,550	20,000	530	4,500	60

1N≐0.102kgf 1N·m≐0.102kgf·m