

SR TYPE

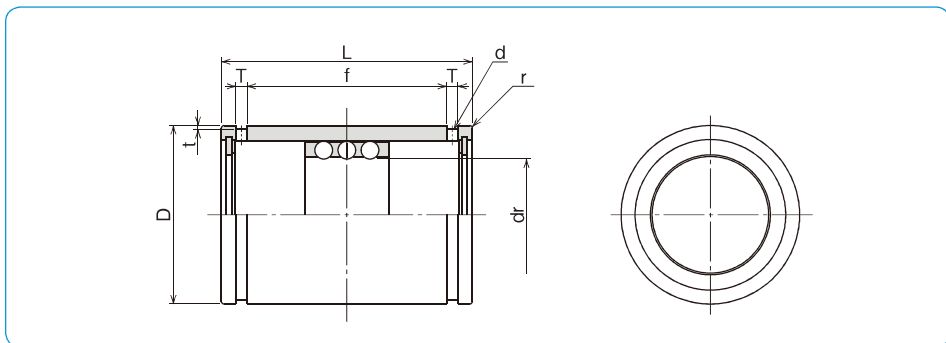


part number structure

example **SR 20**

SR type

inner contact diameter (dr)



part number	maximum stroke mm	number of rows	dr mm	major dimensions										basic load rating		
				tolerance μm	D mm	tolerance μm	L mm	tolerance mm	f mm	T mm	t mm	d mm	r mm	dynamic C N	static Co N	mass g
SR 6	19	3	6	+22	12	0	20		11.3	1.1	0.5	1	0.5	216	147	8.9
SR 8	24	3	8	+13	15	-11	24		17.1	1.5	0.5	1.2	0.5	343	245	15.6
SR 10	30	3	10		19	0	30	0	22.7	1.5	0.5	1.2	0.5	637	461	28.8
SR 12	32	3	12	+27	23	-13	32	-0.2	24.5	1.5	0.5	1.2	0.5	1,070	813	42
SR 16	40	3	16	+16	28		37		29.1	1.5	0.7	1.3	0.5	1,180	990	71
SR 20	50	3	20	+33	32	0	45		35.8	2	0.7	1.5	0.5	1,260	1,170	99
SR 25	50	3	25	+20	37	-16	45		35.8	2	0.7	1.6	1	1,330	1,330	117
SR 30	82	3	30		45	65			53.5	2.5	1	2	1	2,990	3,140	205
SR 35	92	3	35		52	0	70	0	58.5	2.5	1	2	1.5	3,140	3,530	329
SR 40	108	3	40	+41	60	-19	80	-0.3	68.3	2.5	1	2	1.5	4,120	4,800	516
SR 50	138	3	50	+25	72		100		86.4	3	1	2.5	1.5	5,540	6,910	827
SR 60	138	3	60	+49	85	0	100		86.4	3	1	2.5	2	5,980	8,230	1,240
SR 80	132	3	80	+30	110	-22	100	0	86	3	1.5	2.5	2	7,840	12,200	2,050
SR100	132	3	100	+58/+36	130	0/-25	100	-0.4	86	3	1.5	2.5	2	8,430	14,700	2,440

1N≅0.102kgf

SR-UU TYPE



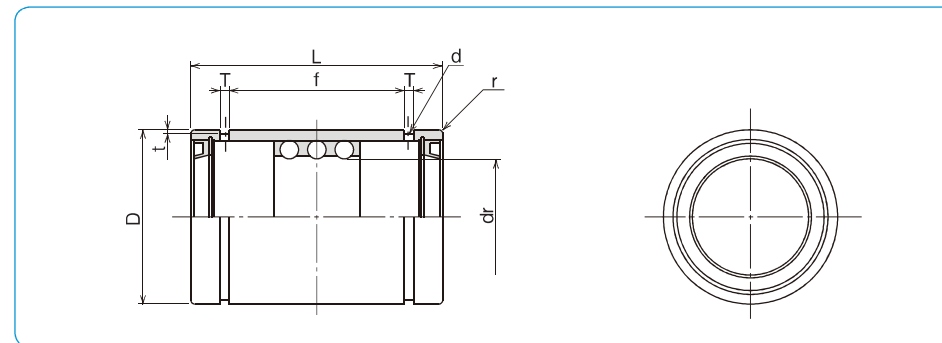
part number structure

example **SR 20 UU**

SR type

inner contact diameter (dr)

seals on both sides



part number	maximum stroke mm	number of rows	dr mm	major dimensions										basic load rating		
				tolerance μm	D mm	tolerance μm	L mm	tolerance mm	f mm	T mm	t mm	d mm	r mm	dynamic C N	static Co N	mass g
SR 8UU	14	3	8	+22	15	0/-11	24		12.3	1.5	0.5	1.2	0.5	343	245	15.6
SR 10UU	16	3	10	+13	19	0	30	0	15.5	1.5	0.5	1.2	0.5	637	461	28.8
SR 12UU	18	3	12	+27	23	-13	32	-0.2	17.1	1.5	0.5	1.2	0.5	1,070	813	42
SR 16UU	26	3	16	+16	28		37		21.1	1.5	0.7	1.3	0.5	1,180	990	71
SR 20UU	36	3	20		32	0	45		26.8	2	0.7	1.5	0.5	1,260	1,170	99
SR 25UU	36	3	25	+33	37	-16	45		26.8	2	0.7	1.6	1	1,330	1,330	117
SR 30UU	68	3	30	+20	45		65		45.1	2.5	1	2	1	2,990	3,140	205
SR 35UU	76	3	35		52	0	70	0	50.1	2.5	1	2	1.5	3,140	3,530	329
SR 40UU	91	3	40	+41	60	-19	80	-0.3	59.9	2.5	1	2	1.5	4,120	4,800	516
SR 50UU	116	3	50	+25	72		100		77.4	3	1	2.5	1.5	5,540	6,910	827
SR 60UU	117	3	60	+49	85	0	100		77.4	3	1	2.5	2	5,980	8,230	1,240
SR 80UU	110	3	80	+30	110	-22	100	0	77	3	1.5	2.5	2	7,840	12,200	2,050
SR100UU	110	3	100	+58/+36	130	0/-25	100	-0.4	77	3	1.5	2.5	2	8,430	14,700	2,440

1N≅0.102kgf

SR-B TYPE



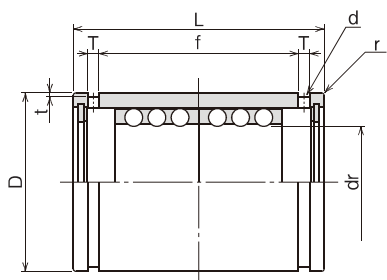
part number structure

example **SR 20 B**

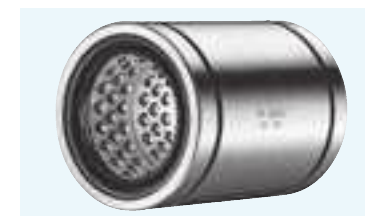
SR type

inner contact diameter (dr)

double retainer



SR-BUU TYPE



part number structure

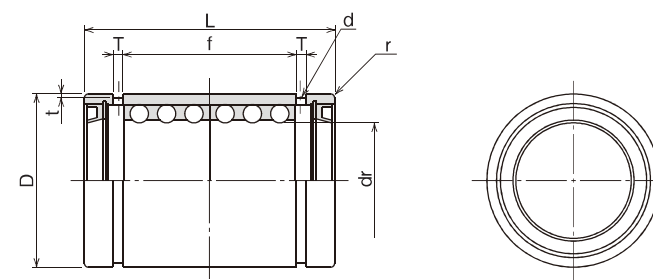
example **SR 30 B UU**

SR type

inner contact diameter (dr)

seals on both sides

double retainer



part number	maximum stroke mm	number of rows	dr mm	major dimensions										basic load rating		
				tolerance μm	D mm	tolerance μm	L mm	tolerance	f mm	T mm	t mm	d mm	r mm	dynamic C N	static Co N	mass g
SR 8B	8	6	8	+22	15	0/-11	24	0	17.1	1.5	0.5	1.2	0.5	549	490	16.8
SR 10B	8	6	10	+13	19	0	30	0	22.7	1.5	0.5	1.2	0.5	1,030	931	31.2
SR 12B	8	6	12	+27	23	-13	32	-0.2	24.5	1.5	0.5	1.2	0.5	1,720	1,630	46
SR 16B	16	6	16	+16	28	0	37	0	29.1	1.5	0.7	1.3	0.5	1,910	1,980	75
SR 20B	20	6	20	+33	32	0	45	0	35.8	2	0.7	1.5	0.5	2,060	2,320	106
SR 25B	20	6	25	+20	37	-16	45	0	35.8	2	0.7	1.6	1	2,170	2,670	125
SR 30B	44	6	30	+33	45	0	65	0	53.5	2.5	1	2	1	4,800	6,270	220
SR 35B	54	6	35	+41	52	0	70	0	58.5	2.5	1	2	1.5	5,050	7,060	346
SR 40B	66	6	40	+25	60	-19	80	-0.3	68.3	2.5	1	2	1.5	6,710	9,560	540
SR 50B	88	6	50	+49	72	0	100	0	86.4	3	1	2.5	1.5	8,970	13,800	862
SR 60B	88	6	60	+30	85	-22	100	0	86.4	3	1	2.5	2	9,700	16,500	1,290
SR 80B	76	6	80	+58/+36	110	0	100	0	86	3	1.5	2.5	2	12,700	24,300	2,110
SR 100B	76	6	100		130	0/-25	100	-0.4	86	3	1.5	2.5	2	13,700	29,400	2,520

1N≅0.102kgf

part number	maximum stroke mm	number of rows	dr mm	major dimensions										basic load rating		
				tolerance μm	D mm	tolerance μm	L mm	tolerance	f mm	T mm	t mm	d mm	r mm	dynamic C N	static Co N	mass g
SR 30BUU	30	6	30	+33/+20	45	0/-16	65	0	45.1	2.5	1	2	1	4,800	6,270	220
SR 35BUU	38	6	35	+41	52	0	70	0	50.1	2.5	1	2	1.5	5,050	7,060	346
SR 40BUU	49	6	40	+25	60	-19	80	-0.3	59.9	2.5	1	2	1.5	6,710	9,560	540
SR 50BUU	66	6	50	+49	72	0	100	0	77.4	3	1	2.5	1.5	8,970	13,800	862
SR 60BUU	67	6	60	+30	85	-22	100	0	77.4	3	1	2.5	2	9,700	16,500	1,290
SR 80BUU	54	6	80	+58/+36	110	0/-25	100	-0.4	77	3	1.5	2.5	2	12,700	24,300	2,110
SR 100BUU	54	6	100		130	0/-25	100	-0.4	77	3	1.5	2.5	2	13,700	29,400	2,520

1N≅0.102kgf